

European Concealed Hinges

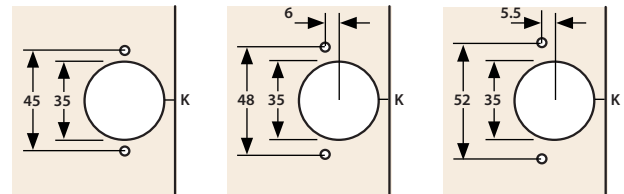
SHORT-ARM 35 MM, SOFT-CLOSE, FACE-FRAME



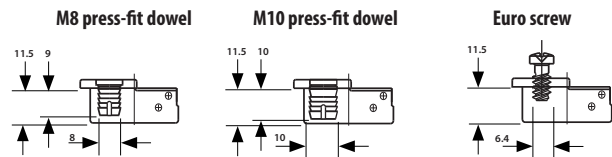
- Material: steel, cold rolled
- Frame: partial wrap 3/4" (19 mm)
- Closing: soft-close
- Opening angle: 100°
- Hinge cup depth: 11.5 mm
- Hinge cup diameter: 35 mm
- Hinge cup drilling distance (K): 3 mm
- Door thickness: 14 - 22 mm
- Mounting: screw or press-fit dowel
- Adjustment: horizontal side by screw
vertical height by screw
in-and-out depth by cam



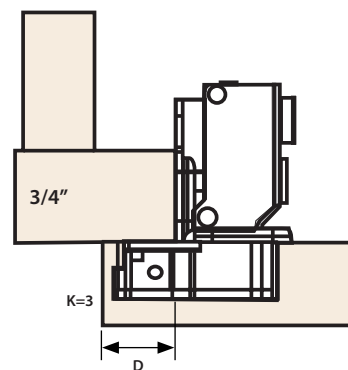
Hinge cup drilling option



Mounting option



Installation guide



CAM DEPTH ADJUSTABLE

OVERLAY (D)	Without dowels	Dowels on Cup
5/8"	Item No. 56181	Item No. 56182
1/2"	Item No. 56163	Item No. 56164
3/8"	Item No. 56183	Item No. 56184